



LED ALL -IN-ONE CAP LAMP

Model: ST-2600

1. Technical data:

Power source

LED	W	1
Illuminance	Lux	≥3500

Working Time:

Primary Light Source	hour	≥12
Secondary Light Source	hour	≥30

Working current:

Primary light Source	mA	210
Secondary Light Source	mA	70-90

Input Voltage	V	5.5
---------------	---	-----

Battery (Lithium Manganate)

Capacity	mA	2600
Voltage	V	3.7
Charge Time	hour	≤ 6

Lamp

Weight	g	190
Water-proof	IP	67

Working Temperature	° C	-20 -- +60
---------------------	-----	------------

Disassembled

Explosion Proof Made

Corrosion-Proof

180° up and down

Lanyard hole

Intellect Control IC:

- 1): The advanced switch power control IC, more stable, lower temperature rise. Constant current and voltage control circuit, constant current charge, over charge stop, prolong battery lifespan and improve the safety.
- 2): Low resistance switch control. The cap lamp moves off the charger, the charge control automatically breaks off the battery. It greatly increases the safety and reduces the battery's waste, the static state electricity waste is zero mA.
- 3): Discharge constant current control circuit.

When the battery is not enough to support the primary light source, IC controls the primary light source to become the secondary light source automatically and continue to work 1-2 hours, which reminds to charge.

2. Intended Use

The LED ALL-IN-ONE CAP LAMP has been designed for working in explosive atmosphere and other common environment..Such as in coal mine or other mines, outdoor, emergency rescue and disaster relief, military equipment, etc.

3. Safety Instructions

Use under explosive atmosphere

- *Do not use the defective cap lamp.*
- *Do not disassemble the cap lamp or exchange the components in mine.*
- *The maintenance, repair and charge must be done on the ground.*
- *Do not close up or cast into the fire.*
- *Do not throw down and strike the cap lamp.*
- *Do not use in other non-lighting application.*
- *Maintain the defective cap lamp in time.*
- *Collect and deal with the disused cap lamp by the authorized agents or the factory .*

Additional Safety Instructions for Batteries and Chargers

Batteries

- *Never attempt to open for any reason.*
- *Do not store in locations where the temperature may exceed 40 ° C.*
- *Charge only using the charger provided with the cap lamp or the professional charge rack (The output voltage of the charge rack limits between 5V and 9V).*
- *When disposing of batteries, follow the instructions given in the section “Protecting the environment”.*
- *Fire hazard! Avoid short-circulation the contacts of a detached battery.*
- *Do not incinerate the battery.*

Chargers (Provided)

- *Use the charger only to charge the battery in the cap lamp with which it was supplied. Other chargers(Unless the output voltage of the charge rack limit between 5V and 9 V) could burst, causing personal injury and damage. .*
- *Never attempt to charge non-rechargeable batteries.*
- *Have defective cords replaced immediately.*
- *Do not expose to water.*
- *Do not open the charger.*
- *Do not probe the charger.*
- *The charger is intended for indoor use only.*

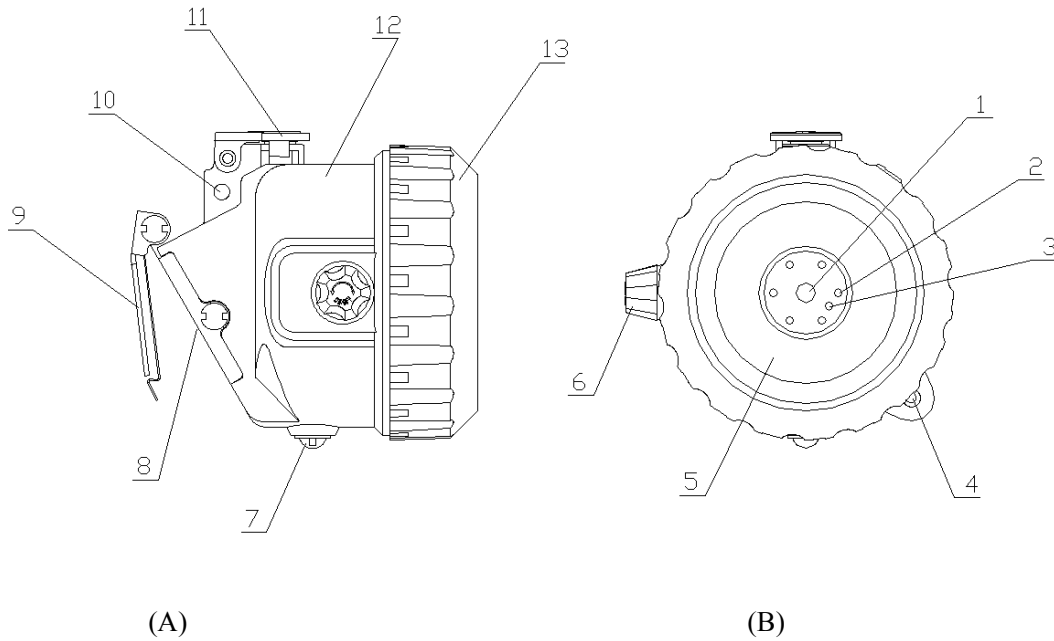
The charger only works under the specific voltage; Before charge, check and ensure that the voltage is in line with it shown on the charger label.

Specific Safety Rules

Should your cap lamp develop a fault, do not try to fix it yourself, but take it to one of our authorized repair

agents.

Take it back to one of our authorized agents to replace the batteries and the accessories..



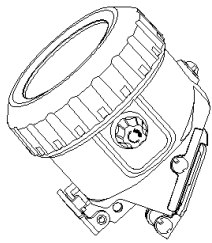
1. Primary Light Source
2. Secondary Light Source (6pieces)
- 3..Charging instructions (red/green)
- 4..Safety screw
- 5.PC lens
- 6.360° switch
7. Charge anode bolt
8. Charge cathode hole
9. Pivoting bracket
10. Lanyard hole
- 11.DC charger
- 12.Lamp housing
- 13.Front lid

Use

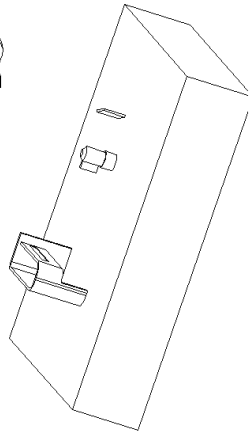
Charging the battery (2 ways)

A Charge rack

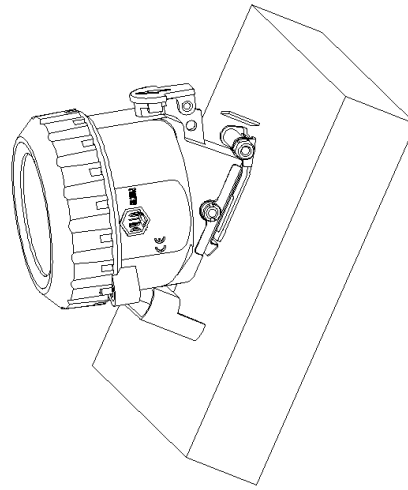
- 1、 The output voltage adjusts between 5V and 9V, the maximal output current should not exceed 1.2A.
- 2、 Plug the charge cathode hole (C)in the charger cathode spindle. Turn the cap lamp clockwise to the position (D), the charge anode bolt presses tightly the metal spring.
- 3、 Charge time is generally about 6 hours.



(C)

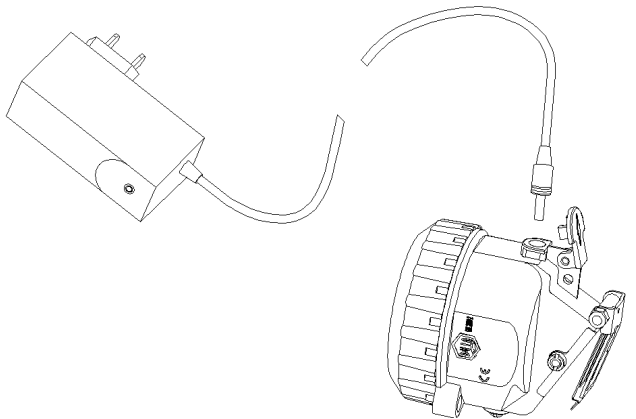


(D)



B、 Mobile charger (provided):

- 1、 Charge voltage: 100V—240V~ 50/60Hz ;Output: 5.5V.
- 2、 Turn off the cap lamp before charge. Insert the charge connector to the DC charger hole on the cap lampproperly . (E)
- 3、 Plug in the Charger. Begin to charge.



(E)

C. Charge indication: The charging indicator red light turns on as charging; when finished, the light turns green, pull the plug out.

Hints: Ensure the battery perform well, during the first three times, the battery should discharge entirely, then charge 10 hours continuously. In future, according to the charger indicator you would tell whether it is finished or not.

Use:

- 1、 Before using, carefully check it for damage to ensure that it will operate properly.
- 2、 During using you would use the pivoting bracket of the cap lamp buckle the metal of the helmet, chest or belt..
- 3、 Three positions for the switch: ON(Primary)-OFF-ON(Secondary). They are: Primary light source, OFF, Secondary light source.

Warranty

Battery: 1 year

Accessories: 2 year

Maintenance

Notes: Ensure the batteries in good performance, every 3 months charge and discharge once according to the production date.

*Your **SUNTIAN** cap lamp has been designed to operate over a long period of time with a minimum of maintenance. Continuous satisfactory operation depends upon proper cap lamp care and regular cleaning.*

This cap lamp is not user-serviceable. Take it to an authorized agent for service.

Unplug the charger before cleaning it.

Regularly clean the cap lamp housing using a damp cloth. Do not use any abrasive or solvent-based cleaner.

Important

To ensure product SAFETY and RELIABILITY, repairs, maintenance and adjustment (other than those listed in this manual) should be performed by authorized service centers or other qualified organizations, always using identical replacement parts.

Unit contains no user serviceable parts inside.

Accessories

***SUNTIAN** offers a large selection of accessories available at our local dealer or authorized service center at extra cost.*

CAUTION: The use of any non-recommended accessories may be hazardous.

Protecting The Environment

Separate collection. The cap lamp must not be disposed of with normal household waste.

Separate collection of used products and packing allows materials to be recycled and used again.

Re-use of recycled materials helps prevent environmental pollution and reduces the demand for raw materials.

If necessary, contact your local municipality for proper disposal instructions in your city/town.

Batteries

The batteries can be recharged many times. At the end of their useful life, discard batteries with due care for our environment:

**Run the battery down completely, and then remove it from the cap lamp.*

**Lithium manganate batteries are recyclable. Take them to a local recycling station.*

Service Information

***SUNTIAN** offers a full network of authorized service location throughout sales area. All the Service Centers are staffed with trained personnel to provide customers with efficient and reliable cap lamp service.*

***SUNTIAN** set up a database for cap lamps to track and maintain. Whether you need technical advice, repair, or genuine factory replacement parts, contact **SUNTIAN** location nearest to you.*

Notes

****SUNTIAN** is one of continuous improvement to our products and, as such, we reserve the right to change product specifications without prior notice.*

**Standard equipment and accessories may vary by country.*

**Product specifications may differ by country.*

EC declaration of confirmation EC

SUNTIAN declares that these products conform to:

ATEX /IEC/EN 60079 11 GB3836.4

Davie Lan

General manager

XIAMEN SUNTIAN LIGHTING CO.,LTD. (China)

www.suntian.net